

Technical Data

Pump name 100 DL 515

Customer KLP TRADING SERVICES CO., LTD.	Date 28-July-2014	Company
Contact TRINH (Director), LE	Item no.	Issued by
Phone 0918 288 908 - 0918 588 908	Project	Phone
E-mail Dragon@kimlongphuc.vn	Project ID EBARA Pump Selector - Spaix@	Phone Configurator-2025372
		hiepphanh@gmail.com

Requested data

1	Pump type	SUBMERSIBLE SEWAGE PUMP-N	Fluid	Water, clean
2	Number of pumps / Reserve	1 / 0	Liquid temperature	K 293
3	Flow	m ³ /h 0	Kin. viscosity	mm ² /s 1
4	Head	m 0	Vapour pressure	kPa 2.2
5	Static head	m 0	PH value	7
6	Inlet pressure	kPa 10	Density	kg/m ³ 1000
7	Available system NPSH	0	Solids	Weight % 0
8	Environmental temperature	K 290	Altitude	m 1000

Pump

9	Pump name	100 DL 515	Frequency	Hz 50
10	Design	SUBMERSIBLE SEWAGE PUMP-Non-clog		
11	Manufacturer	EDKM	Impeller Dia.	Max. mm 327
12	Speed	rpm 1450		Designed mm 327
13	No. of Stage	1		Min. mm 327
14	Connection	Suction side	Flow	Operating m ³ /h
15	Connection	Discharge side JIS 10K		Max- m ³ /h 168
16	Max Working Pressure	kPa		Min- m ³ /h 30
17	Shut-off head	kPa 329.37	Head	Operating m
18	Total weight	kg See the table of "Dimensions".		- (Qmax.) m 18.5
19	Shaft power	kW		- (Qmin.) m 32.7
20	Self-Priming	<input type="checkbox"/> Yes	Max. Shaft Power at max. impeller kW	14.40
21	Required NPSH	m	Efficiency	%

Materials

22				
23				
24				
25				
26				
27				

Motor

28	Manufacturer	EDKM Std.	Insulation class	F
29	Type	DL 515_380_Three phase	Phases	3~
30	Specific design	Submersible dry type / 50 Hz / Pole pairs 2	Frame size	
31	Rated power	kW 15	Weight; motor	kg 0
32	Number of poles	4	Electric voltage	V 380
33	Speed	rpm 1450	Electric current	A 30
34	Degree of protection	IP68		
35				

Remarks

Performance curve

Pump name 100 DL 515

Customer KLP TRADING SERVICES CO., LTD.	Date 28-July-2014	Company
Contact TRINH (Director), LE	Item no.	Issued by
Phone 0918 288 908 - 0918 588 908	Project	Phone
E-mail Dragon@kimlongphuc.vn	Project ID EBARA Pump Selector - Spaix®	Configurator-20250721iepphanh@gmail.com

Requested data

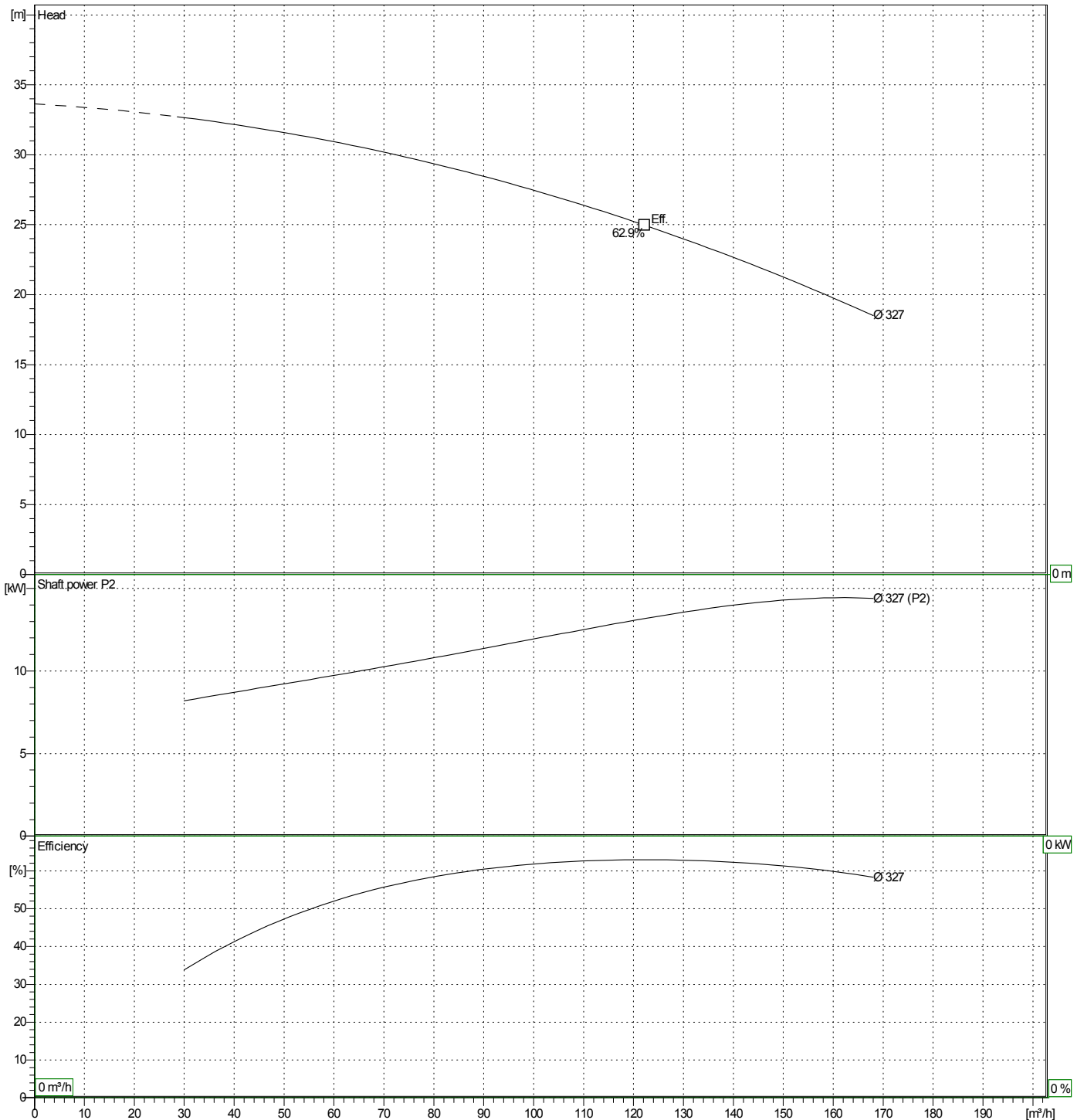
1	Flow	m ³ /h	0
2	Head	m	0
3	Static head	m	0

Pump

Operating Flow	m ³ /h	Impeller Dia. Designed	mm	327
Operating Head	m	Frequency	Hz	50
		Speed	rpm	

Test standard: ISO 9906-Annex A

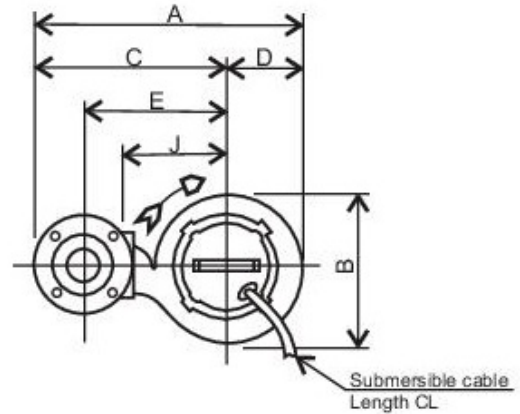
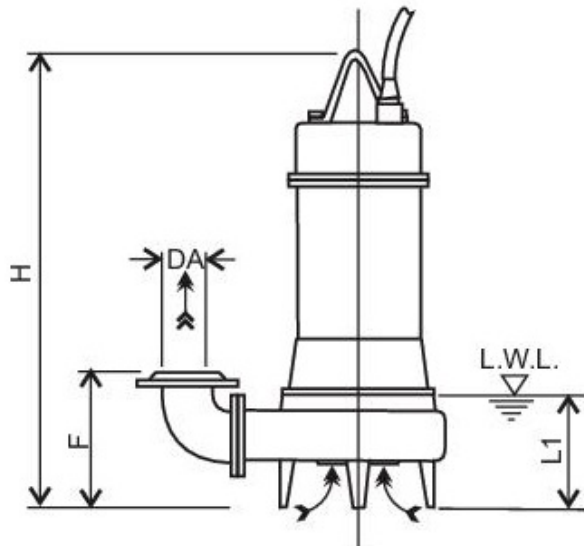
Water, clean [100%] ; 293K; 998.3kg/m³; 1mm²/s



Dimensions

Pump name 100 DL 515

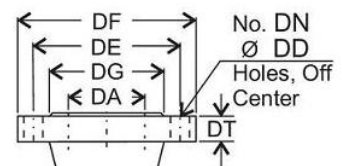
Customer KLP TRADING SERVICES CO., LTD.	Date 28-July-2014	Company
Contact TRINH (Director), LE	Item no.	Issued by
Phone 0918 288 908 - 0918 588 908	Project	Phone
E-mail Dragon@kimlongphuc.vn	Project ID EBARA Pump Selector - Spaix@	Configurator-2025372 thiepphanh@gmail.com



Note:

- 1/. L.W.L (Low Water Level) Is limited to 10 minutes operation at low water level.
- 2/. Is limited to 30 minutes operation with water level below top of motor.

Discharge Flange Dimensions
(JIS 10kgf/cm²)

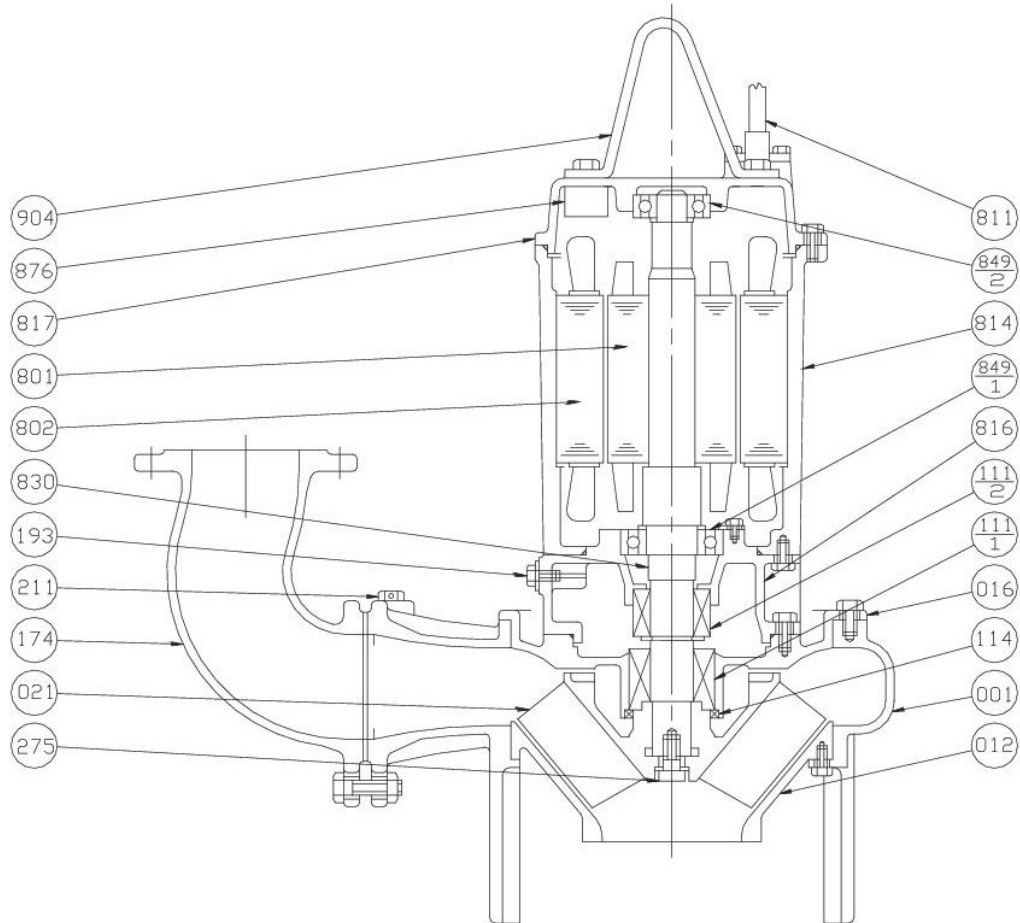


Pump dimensions		mm	Suction side	mm	Discharge side	mm
A	741				DA	100
B	441				DD	15
C	520				DE	175
CL	10				DF	210
D	221				DG	151
E	415				DN Num	8
F	330				DT	20
H	954					
J	310					
L1	205					
Weight kg	230 kg					

Construction

Pump name 100 DL 515

Customer KLP TRADING SERVICES CO., LTD.	Date 28-July-2014	Company
Contact TRINH (Director), LE	Item no.	Issued by
Phone 0918 288 908 - 0918 588 908	Project	Phone
E-mail Dragon@kimlongphuc.vn	Project ID EBARA Pump Selector - Spaix@	E-mail Configurator-2025372@hiepthanh@gmail.com



Item Number	Description	Material	Quantity per unit
001	Pump Casing	FC200 Cast iron	1
012	Suction Cover	FC200 Cast Iron	1
016	Mechanical Seal Cover	FC200 Cast iron	1
021	Impeller	FC200 Cast iron	1
111-1	Mechanical Seal		1
111-2	Mechanical Seal		1
114	Oil Seal	NBR Rubber	1
174	Discharge Bend	FC200 Cast iron	1
193	Oil Plug	C3604 or SUS304 Brass or 304 Stainless Steel	1
211	Airvent Valve	C3604 Brass	1
275	Impeller Bolt	SUS304 Stainless Steel	1

Item Number	Description	Material	Quantity per unit
801	Rotor		1
802	Stator		1
811	Submersible Cable		1
814	Motor Frame	FC150 Cast Iron	1
816	Power Side Bracket	FC150 Cast Iron	1
817	Opposite Side Bracket	FC150 Cast Iron	1
830	Shaft	SUS403 Stainless Steel	1
849-1	Ball Bearing		1
849-2	Ball Bearing		1
876	Protector		1
904	Lifting Hanger	SS Steel	1