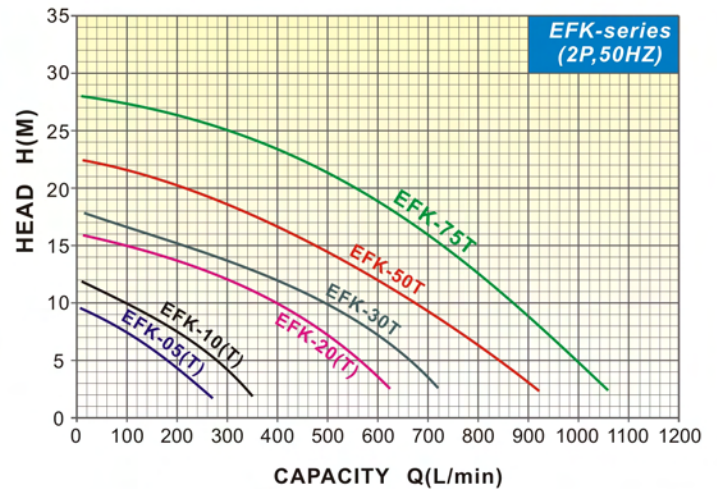


50HZ



Performance Curves



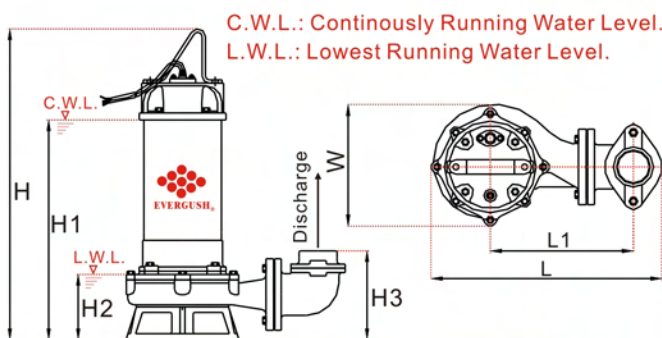
Features

- Impeller is tipped with tungsten cutter to cut off hard objects and prevents impeller from being damaged by hard articles.
- Epoxy resin cable base, 2p dry motor, C3 deep groove bearing, dual mechanical seals, auto-cut protector.

Applications

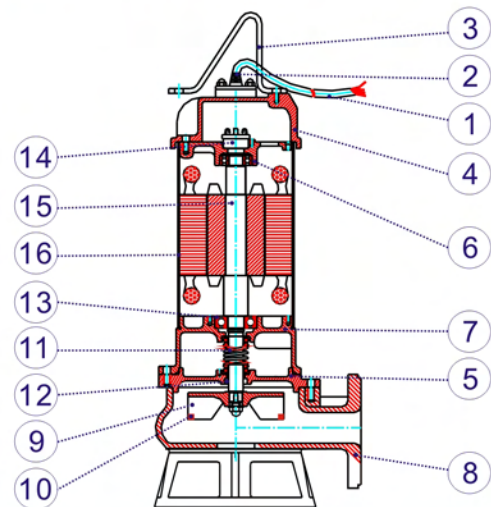
- Sewage drainage from hospitals, schools, husbandry, buildings, stock farm, plants, subway tunnel...etc.
- Dewatering waste water containing hard objects, like sticks, excrement, tiny gravel...etc.

Specification & Dimensions



NOTE: Forbid running submersible pumps continuously under L.W.L.

Parts and Material List



NO	Part	Std. Material	NO	Part	Std. Material
1	Cable	STOW	9	Impeller	FCD450
2	Cable Hood	PVC	10	Cutter edge	Tungsten
3	Handle	Nylon6/SS400	11	Mech. Seal	CA/CE
4	Motor Cover	Nylon66/ FC200	12	Oil Seal	VITON
5	Seal Housing	FC200	13	Bearing	(NTN brand)
6	Bracket	FC200	14	Protector	(T.I.brand)
7	Oil Chamber	FC200	15	Shaft	SUS410
8	Pump Casing	FC200	16	Motor Housing	SUS304

• Mech.seal (sic/sic)material is optional upon request.

Model	Power		Disch. Inch	Phase φ	Rated		Max.		Dimensions (mm)							Cable M	Net Weight KG	Solid Passage MM
	KW	HP			Head M	Capacity LPM	Head M	Cap. LPM	L	L1	W	H	H1	H2	H3			
EFK-05(A)(T)	0.37	0.5	2"	1,3	5~6	180~150	9.5	300	222	115	145	361	248	64	84	5	13	22
EFK-10(A)(T)	0.75	1	2"	1,3	6~7.5	250~200	12	400	222	115	149	416	292	64	84	5	18	22
EFK-20(A)(T)	1.5	2	2"(3")	1,3	10~11	400~350	16	650	403	250	212	541	393	115	169	5	33	22
EFK-30T	2.2	3	2"(3")	3	11~12	450~400	18	750	403	250	212	561	413	115	169	5	35	22
EFK-50T	3.7	5	3"(4")	3	12~13	600~550	22.5	1000	463	260	227	610	445	138	220	5	55	28
EFK-75T	5.5	7.5	3"(4")	3	12.5~15	800~730	28	1100	463	260	227	650	485	138	220	5	61	28

Remarks: • (A): Equipped with automatic float switch. • (T): Three phase motor. • 10M cable are available for 0.5~7.5HP models per special request.

50HZ



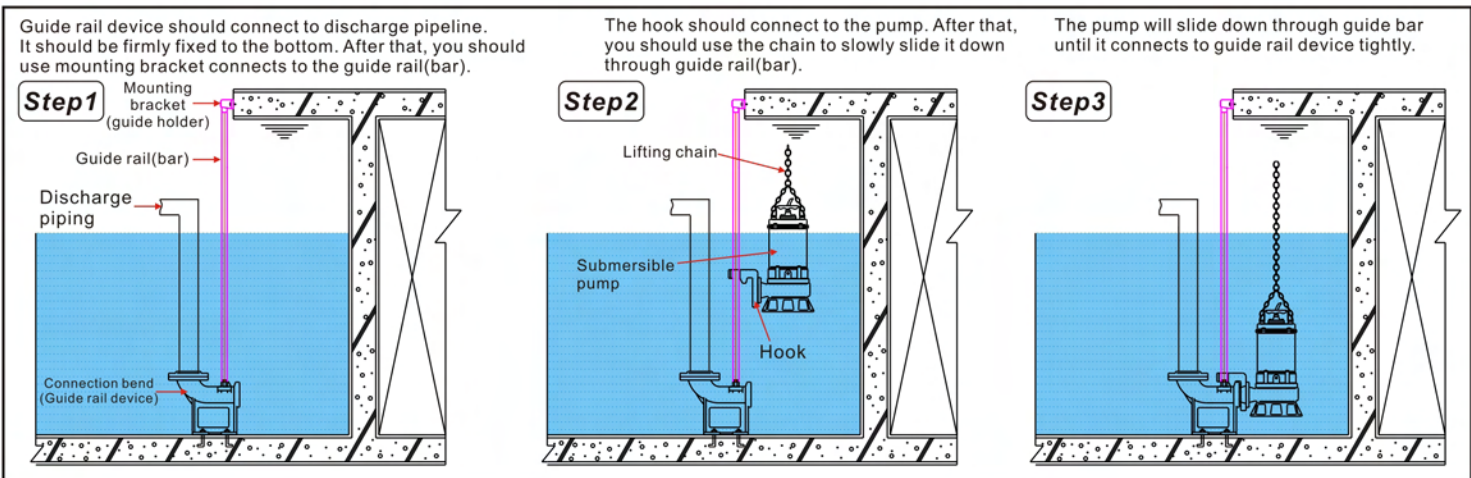
Product Features:

- Through simple and convenient installation, we can connect the pump onto guide rail device. Whenever the pump needs maintenance, it can be easily pulled out through guide bar to dismantle, repair or examine the pump. For safety purpose, The workers no longer need to go down the septic tank to do maintenance. It will greatly reduce down time.

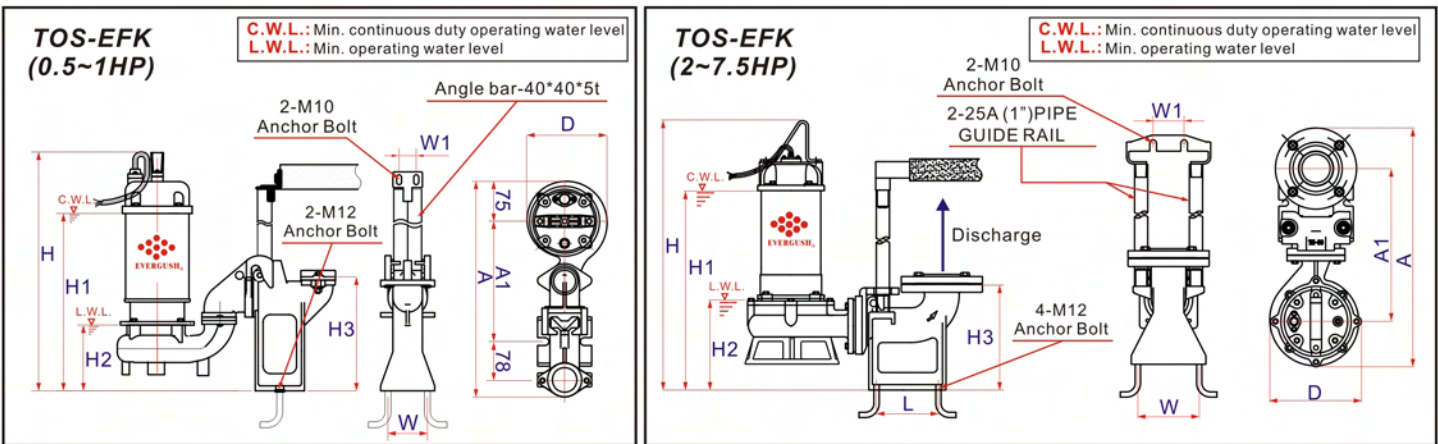
Applications:

- Animal husbandry and dairying septic tank waste water drainage; sewers, apartments, buildings and basements sewage treatment equipment drainage; Dye house, fur and leather industry and steel industry waste water drainage; other waste water treatments drainage.

Installation Diagram:



Dimensions:



Model	Power	Disch.	Dimensions(mm)										Weight(KG)	
	HP	Inch	A	A1	D	H	H1	H2	H3	L	W	W I	TOS Device	TOS & PUMP
TOS-EFK-05(T)	0.5	2"	425	240	150	422	307	150	225	---	80	35	6	19
TOS-EFK-10(T)	1	2"	425	240	150	502	377	150	225	---	80	35	6	24
TOS-EFK-20(T)	2	3"	545	350	210	650	480	210	243	110	140	70	16	49
TOS-EFK-30T	3	3"	545	350	210	670	500	210	243	110	140	70	16	51
TOS-EFK-50T	5	4"	730	520	230	745	580	270	310	160	150	70	24	79
TOS-EFK-75T	7.5	4"	730	520	230	785	620	270	310	160	150	70	24	85

Remarks: ● TOS means cast iron guide rail device. (Q.D.C:Quick Discharge Device) ● "T" means 3 phase motor.